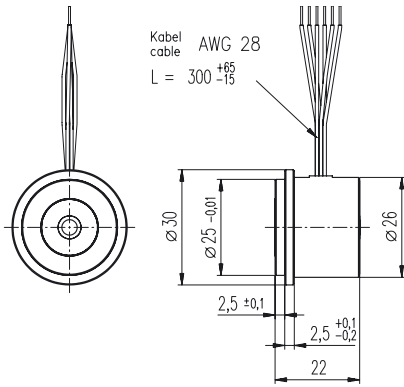
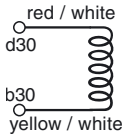


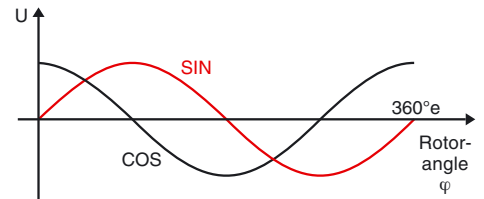
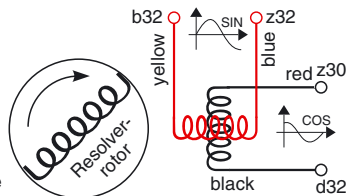
Resolver Res 26, 10 Volt



Primary



Secondary



- Stock program
- Standard program
- Special program (on request!)

Order Number

166488	133405	268912	216287
--------	--------	--------	--------

Type	166488	133405	268912	216287
Shaft diameter (mm)	4	6	6	6



Combination

+ Motor	Page	+ Gearhead	Page	Overall length [mm] / • see: + Gearhead
EC 32, 80 W	159			80.1
EC 32, 80 W	159	GP 32, 0.75 - 4.5 Nm	219	•
EC 32, 80 W	159	GP 32, 1.0 - 6.0 Nm	221	•
EC 40, 120 W	160			96.6
EC 40, 120 W	160	GP 42, 3.0 - 15 Nm	224	•
EC 40, 120 W	160	GP 52, 4.0 - 30 Nm	227	•
EC 45, 150 W	161			111.2
EC 45, 150 W	161	GP 42, 3.0 - 15 Nm	224	•
EC 45, 150 W	161	GP 52, 4.0 - 30 Nm	227	•
EC 45, 250 W	162			144.0
EC 45, 250 W	162	GP 42, 3.0 - 15 Nm	225	•
EC 45, 250 W	162	GP 52, 4.0 - 30 Nm	227	•
EC 45, 250 W	162	GP 62, 8.0 - 50 Nm	229	•
EC 60, 400 W	165			177.3
EC 60, 400 W	165	GP 81, 20 - 120 Nm	230	•

Technical Data

Input voltage	10 V peak, 10 kHz	Rotor inertia	6 gcm ²
Reduction ratio	0.5	Weight	40 g
Electrical error	± 10 minutes	Operating temperature range	-55 ... +155°C