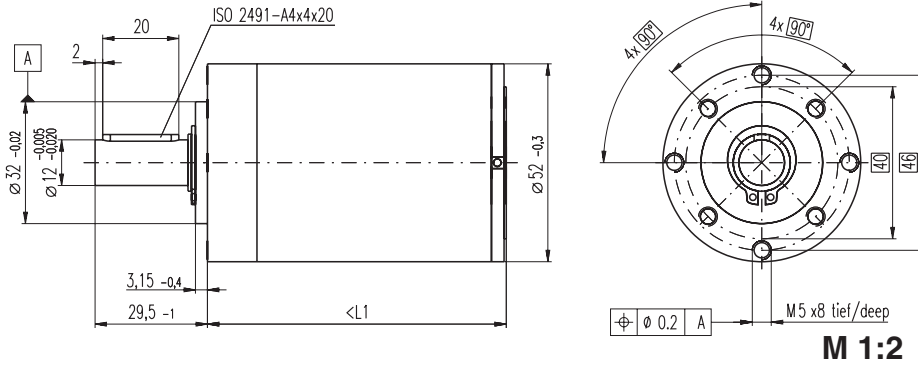


Planetary Gearhead GP 52 C $\varnothing 52$ mm, 4 - 30 Nm

Ceramic Version

maxon gear



Technical Data

Planetary Gearhead	straight teeth
Output shaft	stainless steel
Bearing at output	preloaded ball bearings
Radial play, 12 mm from flange	max. 0.06 mm
Axial play at axial load	< 5 N 0 mm > 5 N max. 0.3 mm
Max. permissible axial load	200 N
Max. permissible force for press fits	500 N
Sense of rotation, drive to output	=
Recommended input speed	< 6000 rpm
Recommended temperature range	-20 ... +100°C
Extended area as option	-35 ... +100°C
Number of stages	1 2 3 4
Max. radial load, 12 mm from flange	500 N 700 N 900 N 900 N

- Stock program
- Standard program
- Special program (on request)

Gearhead Data

	223080	223083	223089	223094	223097	223104	223109
1 Reduction	3.5 : 1	12 : 1	43 : 1	91 : 1	150 : 1	319 : 1	546 : 1
2 Reduction absolute	$7/2$	$49/4$	$343/6$	91	$2401/16$	$637/2$	546
3 Mass inertia	20.7	17.6	17.3	16.7	17.3	16.8	16.4
4 Max. motor shaft diameter	10	10	10	10	10	10	10
Order Number	223081	223084	223090	223095	223099	223105	223110
1 Reduction	4.3 : 1	15 : 1	53 : 1	113 : 1	186 : 1	353 : 1	676 : 1
2 Reduction absolute	$13/3$	$91/6$	$637/12$	$338/3$	$4459/24$	$28561/81$	676
3 Mass inertia	12	16.8	17.2	9.3	17.3	9.4	9.1
4 Max. motor shaft diameter	8	10	10	8	10	8	8
Order Number		223085	223091	223096	223101	223106	223111
1 Reduction		19 : 1	66 : 1	126 : 1	230 : 1	394 : 1	756 : 1
2 Reduction absolute		$169/9$	$1183/18$	126	$8281/36$	$1183/3$	756
3 Mass inertia		9.5	16.7	16.4	16.8	16.7	16.4
4 Max. motor shaft diameter		8	10	10	10	10	10
Order Number		223086	223092	223098	223102	223107	223112
1 Reduction		21 : 1	74 : 1	156 : 1	257 : 1	441 : 1	936 : 1
2 Reduction absolute		21	$147/2$	156	$1029/4$	441	936
3 Mass inertia		16.5	17.2	9.1	17.3	16.5	9.1
4 Max. motor shaft diameter		10	10	8	10	10	8
Order Number		223087	223093		223103	223108	
1 Reduction		26 : 1	81 : 1		285 : 1	488 : 1	
2 Reduction absolute		26	$2197/27$		$15379/54$	$4394/9$	
3 Mass inertia		9.1	9.4		16.7	9.4	
4 Max. motor shaft diameter		8	8		10	8	
5 Number of stages		1	2	3	3	4	4
6 Max. continuous torque		4	15	30	30	30	30
7 Intermittently permissible torque at gear output		6	22.5	45	45	45	45
8 Max. efficiency		91	83	75	75	68	68
9 Weight		460	620	770	770	920	920
10 Average backlash no load		0.6	0.8	1.0	1.0	1.0	1.0
11 Gearhead length L1		49.0	65.0	78.5	78.5	92.0	92.0



Combination

+ Motor	Page	+ Tacho	Page	+ Brake	Page	Overall length [mm] = Motor length + gearhead length + (tacho / brake) + assembly parts						
EC-max 40, 120 W	181					137.1	153.1	166.6	166.6	180.1	180.1	180.1
EC-max 40, 120 W	181	MR	259			153.0	169.0	182.5	182.5	196.0	196.0	196.0
EC-max 40, 120 W	181	HEDL 9140	267			160.5	176.5	190.0	190.0	203.5	203.5	203.5
EC-max 40, 120 W	181			AB 28	307	177.1	193.1	206.6	206.6	220.1	220.1	220.1
EC-max 40, 120 W	181	HEDL 9140	267	AB 28	307	200.5	216.5	230.0	230.0	243.5	243.5	243.5