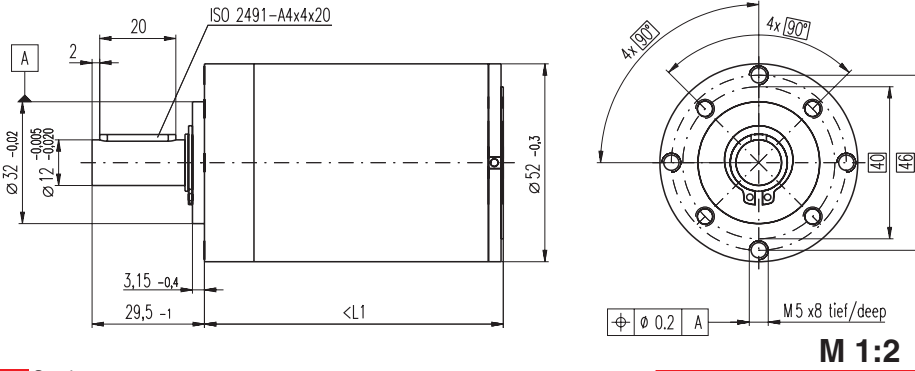


# Planetary Gearhead GP 52 C $\varnothing 52$ mm, 4 - 30 Nm

Ceramic Version



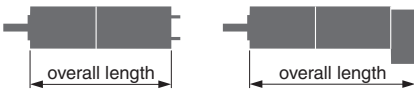
## Technical Data

Planetary Gearhead	straight teeth
Output shaft	stainless steel
Bearing at output	preloaded ball bearings
Radial play, 12 mm from flange	max. 0.06 mm
Axial play at axial load	< 5 N 0 mm > 5 N max. 0.3 mm
Max. permissible axial load	200 N
Max. permissible force for press fits	500 N
Sense of rotation, drive to output	=
Recommended input speed	< 6000 rpm
Recommended temperature range	-20 ... +100°C
Extended area as option	-35 ... +100°C
Number of stages	1 2 3 4
Max. radial load, 12 mm from flange	500 N 700 N 900 N 900 N

- Stock program
- Standard program
- Special program (on request)

### Gearhead Data

	223080	223083	223089	223094	223097	223104	223109
1 Reduction	3.5 : 1	12 : 1	43 : 1	91 : 1	150 : 1	319 : 1	546 : 1
2 Reduction absolute	$7/2$	$49/4$	$343/8$	91	$2401/16$	$637/2$	546
3 Mass inertia	20.7	17.6	17.3	16.7	17.3	16.8	16.4
4 Max. motor shaft diameter	10	10	10	10	10	10	10
<b>Order Number</b>	<b>223081</b>	223084	223090	223095	223099	<b>223105</b>	223110
1 Reduction	4.3 : 1	15 : 1	53 : 1	113 : 1	186 : 1	353 : 1	676 : 1
2 Reduction absolute	$13/3$	$91/6$	$637/12$	$338/3$	$4459/24$	$28561/81$	676
3 Mass inertia	12	16.8	17.2	9.3	17.3	9.4	9.1
4 Max. motor shaft diameter	8	10	10	8	10	8	8
<b>Order Number</b>		<b>223085</b>	223091	223096	223101	223106	223111
1 Reduction		19 : 1	66 : 1	126 : 1	230 : 1	394 : 1	756 : 1
2 Reduction absolute		$169/9$	$1183/18$	126	$8281/36$	$1183/3$	756
3 Mass inertia		9.5	16.7	16.4	16.8	16.7	16.4
4 Max. motor shaft diameter		8	10	10	10	10	10
<b>Order Number</b>		223086	223092	223098	223102	223107	223112
1 Reduction		21 : 1	74 : 1	156 : 1	257 : 1	441 : 1	936 : 1
2 Reduction absolute		21	$147/2$	156	$1029/4$	441	936
3 Mass inertia		16.5	17.2	9.1	17.3	16.5	9.1
4 Max. motor shaft diameter		10	10	8	10	10	8
<b>Order Number</b>		223087	<b>223093</b>		223103	223108	
1 Reduction		26 : 1	81 : 1		285 : 1	488 : 1	
2 Reduction absolute		26	$2197/27$		$15379/54$	$4394/9$	
3 Mass inertia		9.1	9.4		16.7	9.4	
4 Max. motor shaft diameter		8	8		10	8	
5 Number of stages		1	2	3	3	4	4
6 Max. continuous torque		4	15	30	30	30	30
7 Intermittently permissible torque at gear output		6	22.5	45	45	45	45
8 Max. efficiency		91	83	75	75	68	68
9 Weight		460	620	770	770	920	920
10 Average backlash no load		0.6	0.8	1.0	1.0	1.0	1.0
11 Gearhead length L1		49.0	65.0	78.5	78.5	92.0	92.0



### Combination

+ Motor	Page	+ Tacho	Page	+ Brake	Page	Overall length [mm] = Motor length + gearhead length + (tacho / brake) + assembly parts						
RE 40, 150 W	84					120.1	136.1	149.6	149.6	163.1	163.1	163.1
RE 40, 150 W	84	MR	259			131.5	147.5	161.0	161.0	174.5	174.5	174.5
RE 40, 150 W	84	HED_5540	262/264			140.8	156.8	170.3	170.3	183.8	183.8	183.8
RE 40, 150 W	84	HEDL 9140	267			174.1	190.1	203.6	203.6	217.1	217.1	217.1
RE 40, 150 W	84			AB 28	308	156.2	172.2	185.7	185.7	199.2	199.2	199.2
RE 40, 150 W	84			AB 28	309	164.2	180.2	193.7	193.7	207.2	207.2	207.2
RE 40, 150 W	84	HED_5540	262/264	AB 28	308	173.3	189.3	202.8	202.8	216.3	216.3	216.3
RE 40, 150 W	84	HEDL 9140	267	AB 28	309	184.6	200.6	214.1	214.1	227.6	227.6	227.6
EC 40, 120 W	165					119.1	135.1	148.6	148.6	162.1	162.1	162.1
EC 40, 120 W	165	HED_5540	263/265			137.5	153.5	167.0	167.0	180.5	180.5	180.5
EC 40, 120 W	165	Res 26	272			145.7	161.7	175.2	175.2	188.7	188.7	188.7
EC 40, 120 W	165			AB 28	308	149.9	165.9	179.4	179.4	192.9	192.9	192.9
EC 45, 150 W	166					160.3	176.3	189.8	189.8	203.3	203.3	203.3
EC 45, 150 W	166	HEDL 9140	267			175.9	191.9	205.4	205.4	218.9	218.9	218.9
EC 45, 150 W	166	Res 26	272			160.3	176.3	189.8	189.8	203.3	203.3	203.3
EC 45, 150 W	166			AB 28	309	167.7	183.7	197.2	197.2	210.7	210.7	210.7
EC 45, 150 W	166	HEDL 9140	267	AB 28	309	184.7	200.7	214.2	214.2	227.7	227.7	227.7
EC 45, 250 W	167					193.1	209.1	222.6	222.6	236.1	236.1	236.1
EC 45, 250 W	167	HEDL 9140	267			208.7	224.7	238.2	238.2	251.7	251.7	251.7
EC 45, 250 W	167	Res 26	272			193.1	209.1	222.6	222.6	236.1	236.1	236.1
EC 45, 250 W	167			AB 28	309	200.5	216.5	230.0	230.0	243.5	243.5	243.5
EC 45, 250 W	167	HEDL 9140	267	AB 28	309	217.5	233.5	247.0	247.0	260.5	260.5	260.5