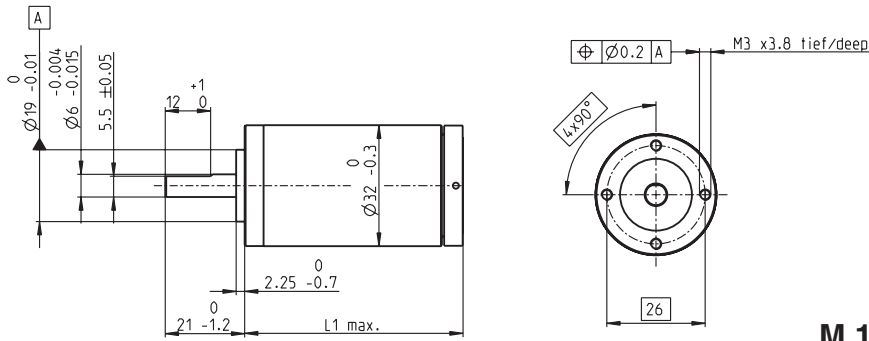


Koaxdrive KD 32 $\varnothing 32$ mm, 1.0 - 4.5 Nm

low noise



M 1:2

Technical Data

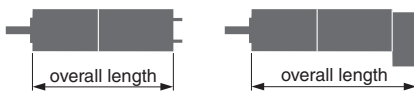
Planetary Gearhead	special toothing
Output shaft	stainless steel
Bearing at output	ball bearing
Radial play, 5 mm from flange	max. 0.14 mm
Axial play	max. 0.4 mm
Max. radial load, 10 mm from flange	140 N
Max. permissible axial load	120 N
Max. permissible force for press fits	120 N
Sense of rotation, drive to output	=
Recommended input speed	< 8000 rpm
Recommended temperature range	-15 ... +80°C

Option: higher reduction ratio on request

- Stock program
- Standard program
- Special program (on request)

Order Number

	354722	354725	354962	354730	354731	354734	354737	354963	354742
Gearhead Data									
1 Reduction	11 : 1	41 : 1	82 : 1	158 : 1	152 : 1	253 : 1	392 : 1	705 : 1	1091 : 1
2 Reduction absolute	11/1	286/7	408/5	792/5	7436/49	6336/25	9792/25	9867/14	17457/16
7 Max. efficiency %	78	70	65	61	63	63	59	55	55
10 Mass inertia gcm ²	0.65	0.60	0.60	0.35	0.60	0.60	0.35	0.35	0.22
Order Number	354723	354726	354728	354744	354732	354735	354738	354740	
1 Reduction	17 : 1	53 : 1	98 : 1	190 : 1	196 : 1	304 : 1	455 : 1	760 : 1	
2 Reduction absolute	17/1	264/5	391/4	759/4	6864/35	1518/5	22308/49	19008/25	
7 Max. efficiency %	72	70	65	65	63	63	55	55	
10 Mass inertia gcm ²	0.38	0.60	0.35	0.35	0.60	0.60	0.22	0.22	
Order Number	354724	354727	354729		354733	354736	354739	354741	
1 Reduction	33 : 1	63 : 1	123 : 1		235 : 1	364 : 1	588 : 1	911 : 1	
2 Reduction absolute	33/1	442/7	858/7		11492/49	5819/16	20592/35	4554/5	
7 Max. efficiency %	68	70	61		63	63	59	55	
10 Mass inertia gcm ²	0.65	0.60	0.22		0.60	0.60	0.35	0.22	
3 Max. motor shaft diameter mm	3	3	3	3	3	3	3	3	3
4 Number of stages	1	2	2	2	3	3	3	3	3
5 Max. continuous torque Nm	1	3.5	3.5	3.5	4.5	4.5	4.5	4.5	4.5
6 Intermittently permissible torque at gear output Nm	1.25	4.4	4.4	4.4	6.5	6.5	6.5	6.5	6.5
8 Weight g	130	230	230	230	262	262	262	262	262
9 Average backlash no load °	3.5	1	1	1	1	1	1	1	1
11 Gearhead length L1 mm	40.7	57.9	57.9	57.9	67.6	67.6	67.6	67.6	67.6



maxon Modular System

+ Motor	Page	+ Sensor / Brake	Page	Overall length [mm] = Motor length + gearhead length + (sensor / brake) + assembly parts									
RE 25	77/79			95.3	112.5	112.5	112.5	122.2	122.2	122.2	122.2	122.2	122.2
RE 25	77/79	MR	262	106.3	123.5	123.5	123.5	133.2	133.2	133.2	133.2	133.2	133.2
RE 25	77/79	Enc 22	264	109.4	126.6	126.6	126.6	136.3	136.3	136.3	136.3	136.3	136.3
RE 25	77/79	HED_5540	266/268	116.1	133.3	133.3	133.3	143.0	143.0	143.0	143.0	143.0	143.0
RE 25	77/79	DCT 22	276	117.6	134.8	134.8	134.8	144.5	144.5	144.5	144.5	144.5	144.5
RE 25, 20 W	78			83.8	101.0	101.0	101.0	110.7	110.7	110.7	110.7	110.7	110.7
RE 25, 20 W	78	MR	262	94.8	112.0	112.0	112.0	121.7	121.7	121.7	121.7	121.7	121.7
RE 25, 20 W	78	HED_5540	267/270	104.6	121.8	121.8	121.8	131.5	131.5	131.5	131.5	131.5	131.5
RE 25, 20 W	78	DCT 22	276	106.1	123.3	123.3	123.3	133.0	133.0	133.0	133.0	133.0	133.0
RE 25, 20 W	78	AB 28	318	117.9	135.1	135.1	135.1	144.8	144.8	144.8	144.8	144.8	144.8
RE 25, 20 W	78	HED_5540 / AB 28	267/318	135.1	152.3	152.3	152.3	162.0	162.0	162.0	162.0	162.0	162.0
RE 30, 60 W	80			108.8	126.0	126.0	126.0	135.7	135.7	135.7	135.7	135.7	135.7
RE 30, 60 W	80	MR	263	120.2	137.4	137.4	137.4	147.1	147.1	147.1	147.1	147.1	147.1
EC-max 22, 12 W	164			72.8	90.0	90.0	90.0	99.7	99.7	99.7	99.7	99.7	99.7
EC-max 22, 12 W	164	MR	261	82.4	99.6	99.6	99.6	109.3	109.3	109.3	109.3	109.3	109.3
EC-max 22, 12 W	164	AB 20	316	108.4	125.6	125.6	125.6	135.3	135.3	135.3	135.3	135.3	135.3
EC-max 22, 25 W	165			89.3	106.5	106.5	106.5	116.2	116.2	116.2	116.2	116.2	116.2
EC-max 22, 25 W	165	MR	261	98.9	116.1	116.1	116.1	125.8	125.8	125.8	125.8	125.8	125.8
EC-max 22, 25 W	165	AB 20	316	125.0	142.2	142.2	142.2	151.9	151.9	151.9	151.9	151.9	151.9
EC-max 30, 40 W	166			82.8	100.0	100.0	100.0	109.7	109.7	109.7	109.7	109.7	109.7
EC-max 30, 40 W	166	MR	262	95.0	112.2	112.2	112.2	121.9	121.9	121.9	121.9	121.9	121.9
EC-max 30, 40 W	166	HEDL 5540	269	103.4	120.6	120.6	120.6	130.3	130.3	130.3	130.3	130.3	130.3
EC-max 30, 40 W	166	AB 20	316	118.4	135.6	135.6	135.6	145.3	145.3	145.3	145.3	145.3	145.3
EC-max 30, 40 W	166	HEDL 5540 / AB 20	269/316	136.8	154.0	154.0	154.0	163.7	163.7	163.7	163.7	163.7	163.7
EC-max 30, 60 W	167			104.8	122.0	122.0	122.0	131.7	131.7	131.7	131.7	131.7	131.7
EC-max 30, 60 W	167	MR	262	117.0	134.2	134.2	134.2	143.9	143.9	143.9	143.9	143.9	143.9
EC-max 30, 60 W	167	HEDL 5540	269	125.4	142.6	142.6	142.6	152.3	152.3	152.3	152.3	152.3	152.3
EC-max 30, 60 W	167	AB 20	316	140.4	157.6	157.6	157.6	167.3	167.3	167.3	167.3	167.3	167.3
EC-max 30, 60 W	167	HEDL 5540 / AB 20	269/316	158.8	176.0	176.0	176.0	185.7	185.7	185.7	185.7	185.7	185.7